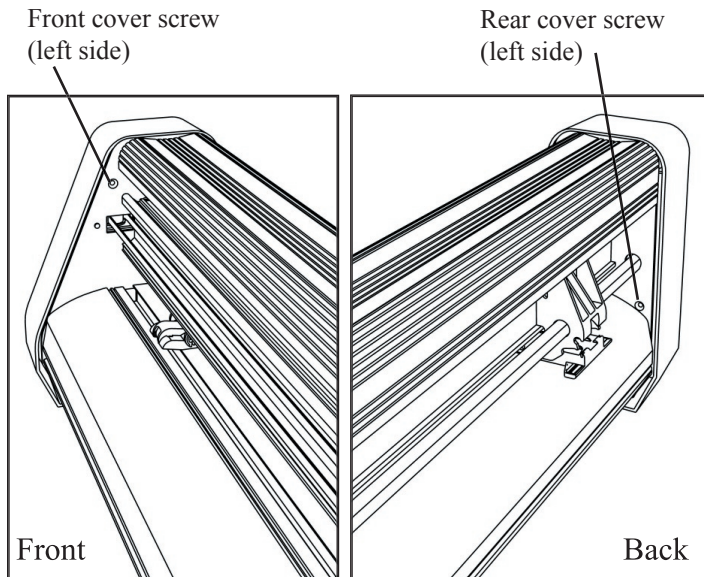


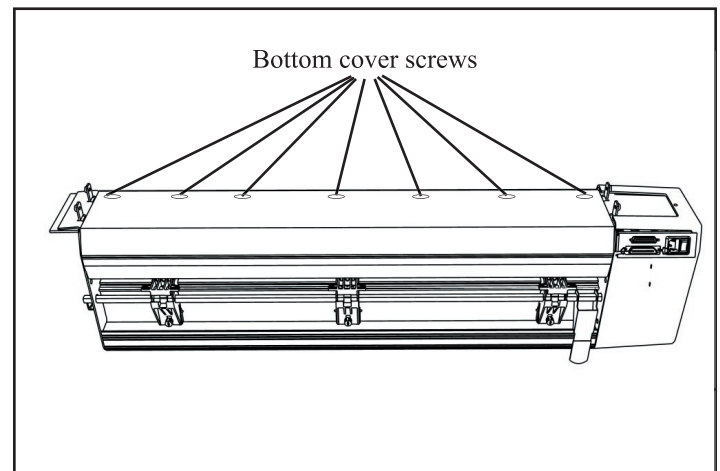
## Ribbon Cable Replacement Smartrac

Unplug the data cable and power cord from the back of the machine.

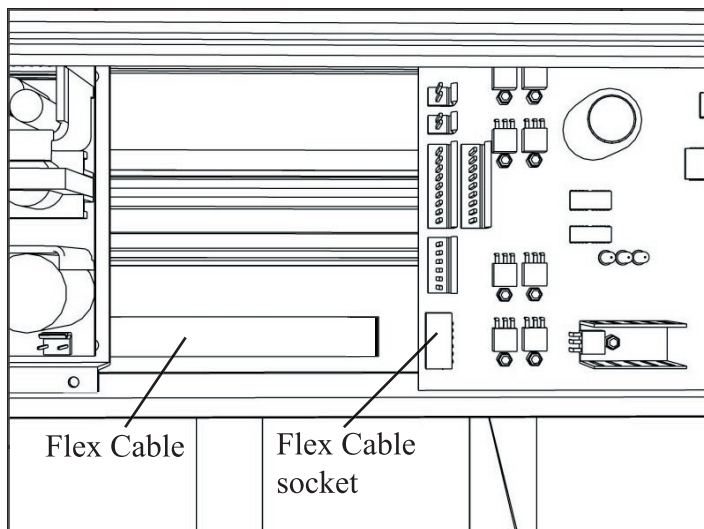
1. Remove the two phillips head screws and remove the left cover.



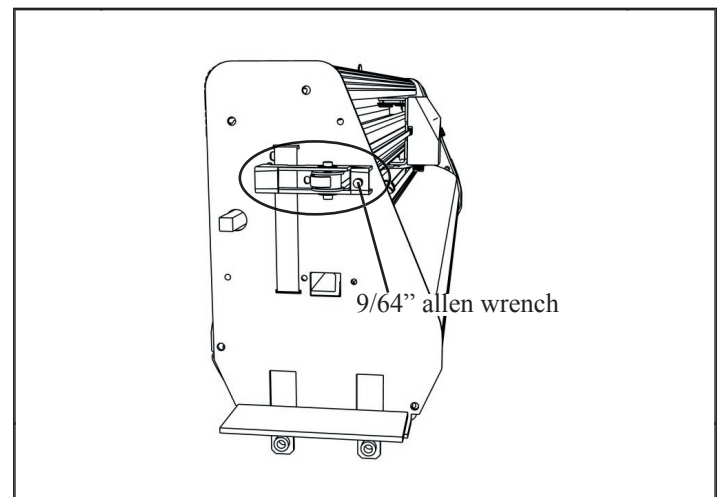
2. Flip the machine over on it's back and remove the bottom cover.



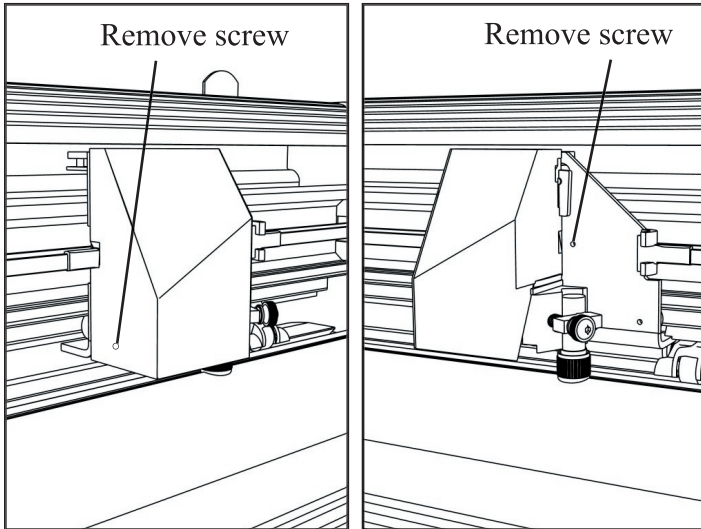
3. Disconnect the flex cable from the logic board by gently pulling it from the socket. Note: Notice the colored end of the cable (Blue or Black) is not visible when it's plugged in. Make sure it's plugged in the same way during installation.



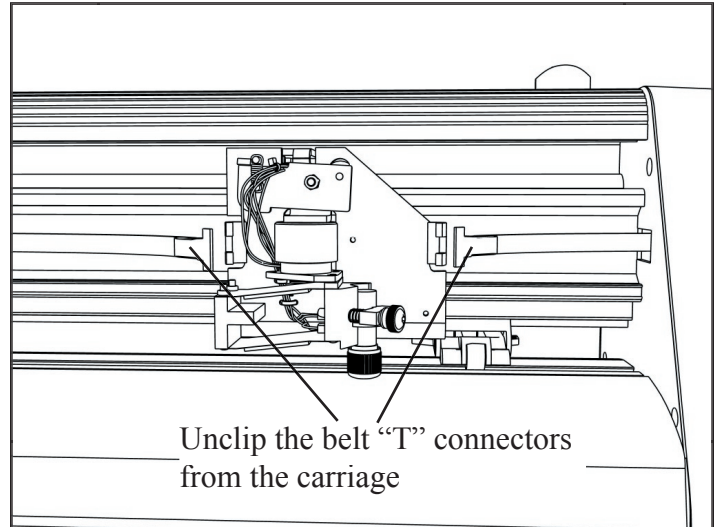
4. Remove the blade holder from the carriage. Mark the screw on the Y axis belt tensioner with "White-Out" to mark the position of the screw before you loosen it. Loosen the 9/64" allen screw on the belt tensioner until the the bracket is flat against the end plate. Do not remove the screw.



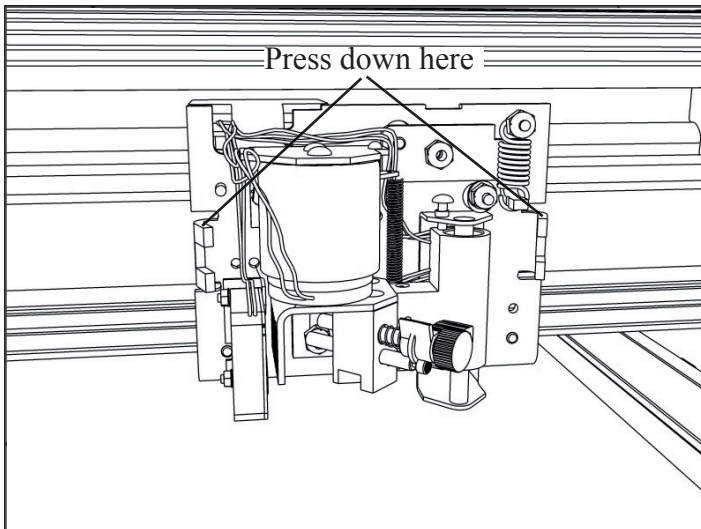
5. Remove the cover of the carriage by removing the two cover screws.



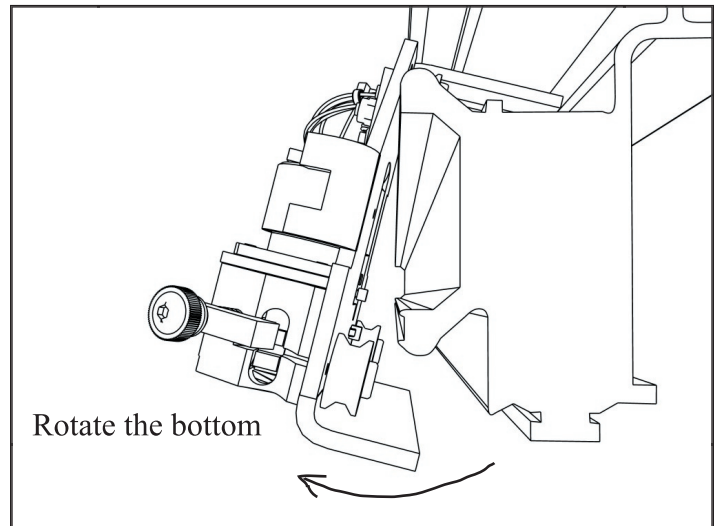
6. Grasp one of the metal “T”-connectors on the end of the Y Axis belt and pull it toward the center of the carriage until it pops free. Make sure that the tensioner assembly is not tangled in the belt. Remove the other end of the belt from the carriage.



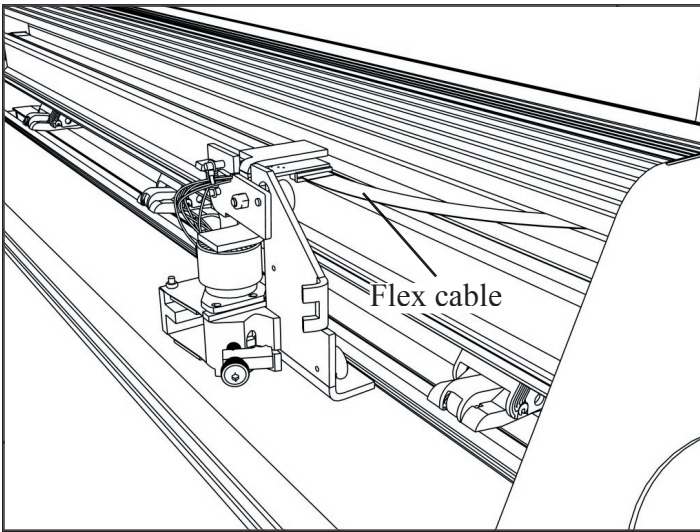
7. Remove the carriage from the machine by pushing down on the belt attachment fingers.



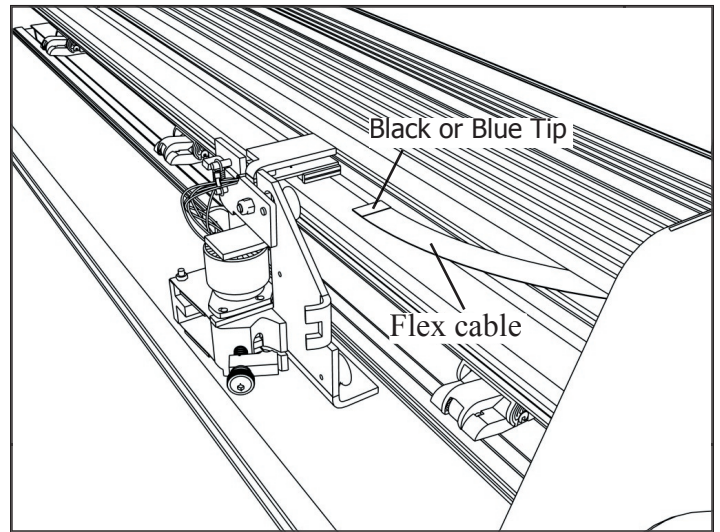
8. While pushing down, pull the bottom of the carriage assembly toward the front of the machine.



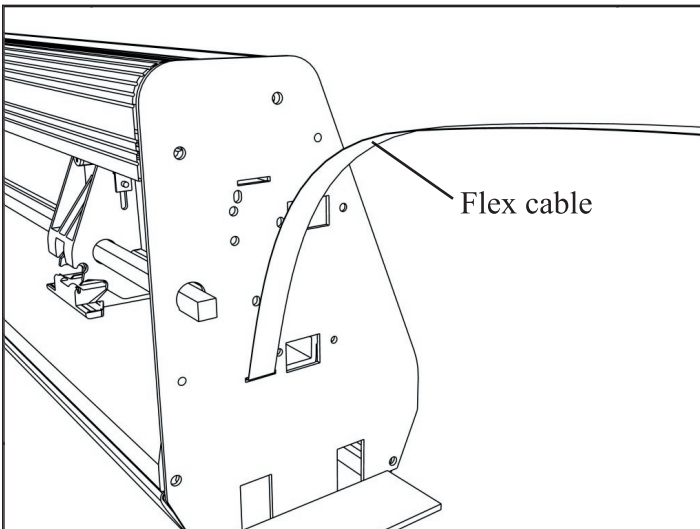
9. Pull the carriage slowly toward the front of the machine being sure not to damage the flex cable.



10. Disconnect the flex cable from the carriage by pulling the flex cable from the socket. The flex cable is fragile so be very careful when loosening it.



11. Gently pull the flex cable out of the channel and out the left side. A piece of two sided foam tape holds the cable down so take care while removing.



12. Remove the flex cable completely from the machine. Install the new flex cable following the instructions in reverse order.

If problems arise contact Ioline Tech Support.