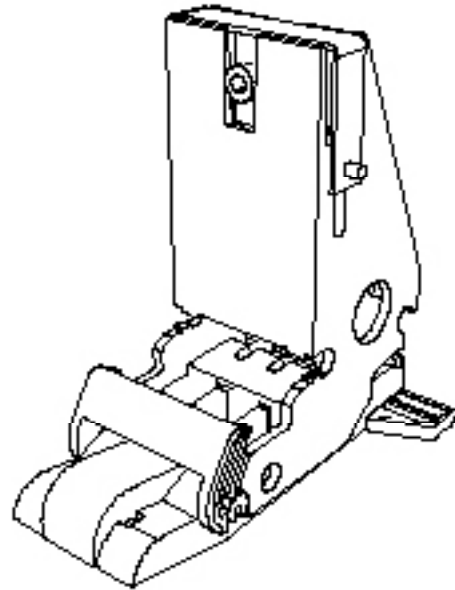


Procedure for: **Smartrac Signcutter wheel replacement**

Tools Needed:

Phillips screwdriver
Small flat head screwdriver
9/64" Allen Wrench



Step: 1 - Removing the pinch wheel assembly from the machine.

- 1) Unplug, and remove the machine from the stand (if you have one). Place on a flat surface with the pinch wheels down.
- 2) Remove the left side cover of the machine. There are two (2) black phillips screws holding the cover to the left end plate in front, and back.
- 3) To remove the pinch wheel assembly, the left end plate must be removed. To do this, start by loosening the "Y" axis belt. With a 9/64" hex wrench loosen the belt tensioner on the left side of the machine. See fig. 5

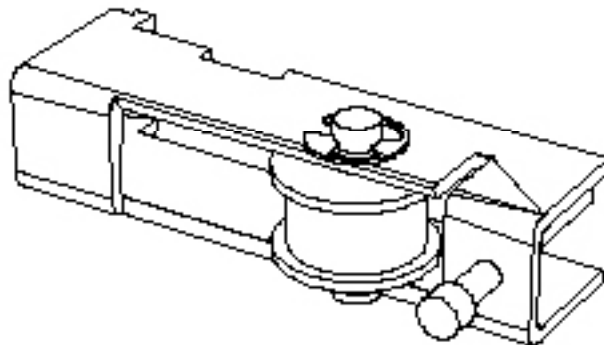


Fig. 5 - Belt tensioner assembly

- 4) Remove the carriage cover unscrewing the two (2) phillips screws. One is on the bottom left side, and the other is on the front above where the blade holder is inserted.
- 5) Unclip the belt "T" connectors on each side of the carriage assembly. Pull the left side of the belt through the hole in the left end plate, and let it dangle.
- 6) Remove the carriage assembly by pushing down on the top, and pulling the bottom wheels toward you. Unclip the white ribbon cable that plugs into the carriage by gently pulling it out of the socket. Set the carriage aside for later.
- 7) Remove the white ribbon cable from the machine by gently pulling it off the traverse extrusion (Black rail that holds the carriage assembly). The ribbon cable is attached to the traverse by a piece of double stick tape. When it's free of the tape, pull the ribbon cable through the slotted hole in the left end plate.
- 8) Now it's time to start removing the left end plate of the machine. Start by taking out the screws that hold the body to the machine. Remove all but one screw for the traverse, and one for the platen. See Fig. 6

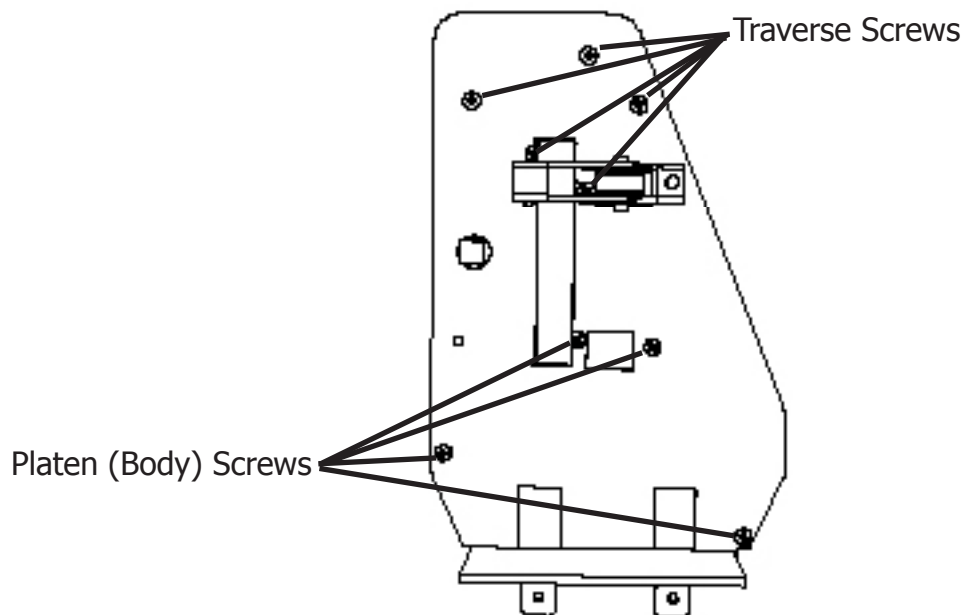


Fig. 6 - Left end plate

9) Remove the spring clip and plastic washer holding the square shaft on the left end plate. Hold the body while removing the last screw. Do the same for the traverse extrusion.

10) With the left end plate removed, lift the traverse extrusion up, and slide the end pinch wheel off of the machine. See Fig. 7

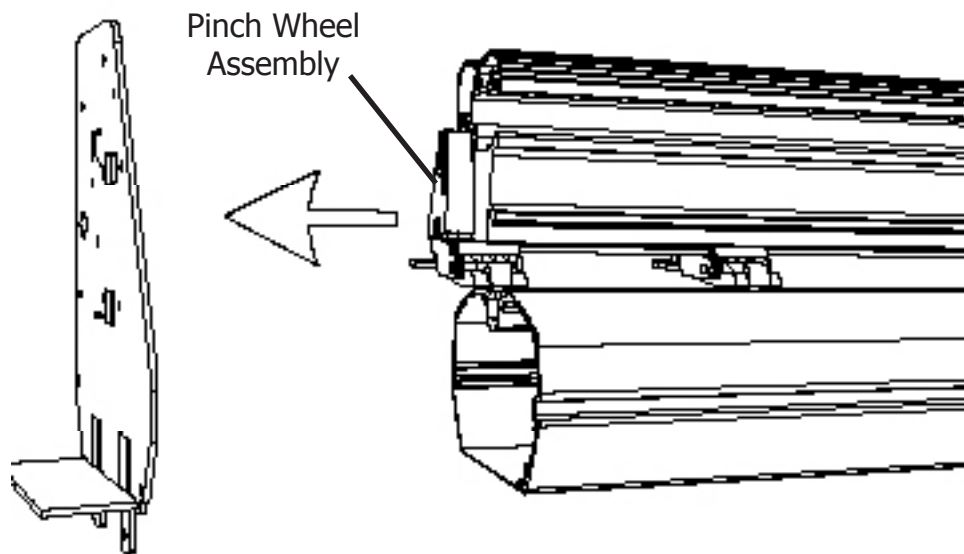


Fig. 7 - Left end plate removed

11) Slide the new pinch wheels on the traverse then slide the end pinch wheel back on.

12) Follow the instructions in reverse order to put the machine back together. If problems should arise contact Ioline Tech Support.