



14140 NE 200th ST. • Woodinville, WA. 98072 • PH: (425) 398-8282 • FX: (425) 398-8383

Procedure: 300 System table adjustment

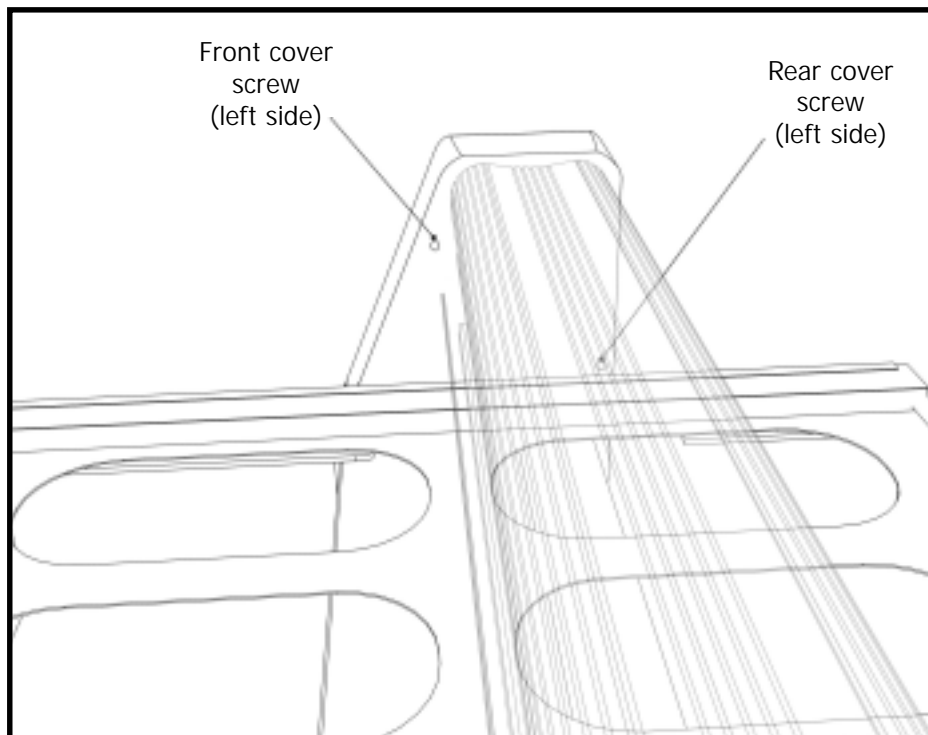
Tools Required:

Phillips tip screwdriver
11/32" socket and driver.

Removing the left cover

- 1) Unplug the power, and computer cord from the back of the machine.
- 2) Remove the two (2) black "Phillips" screws from the left end plate. Remove the left cover.

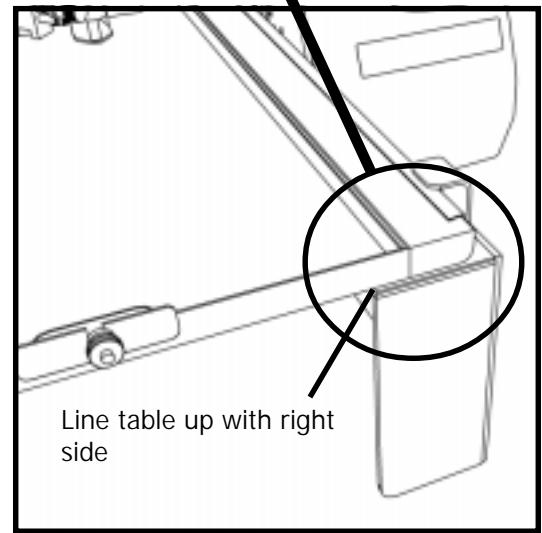
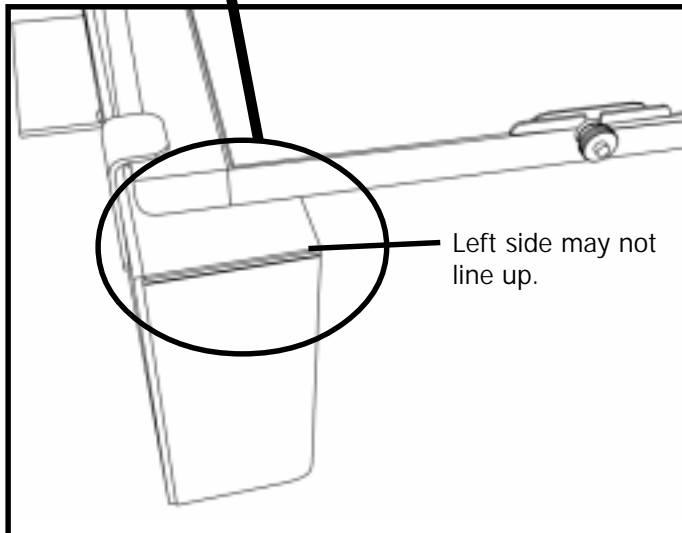
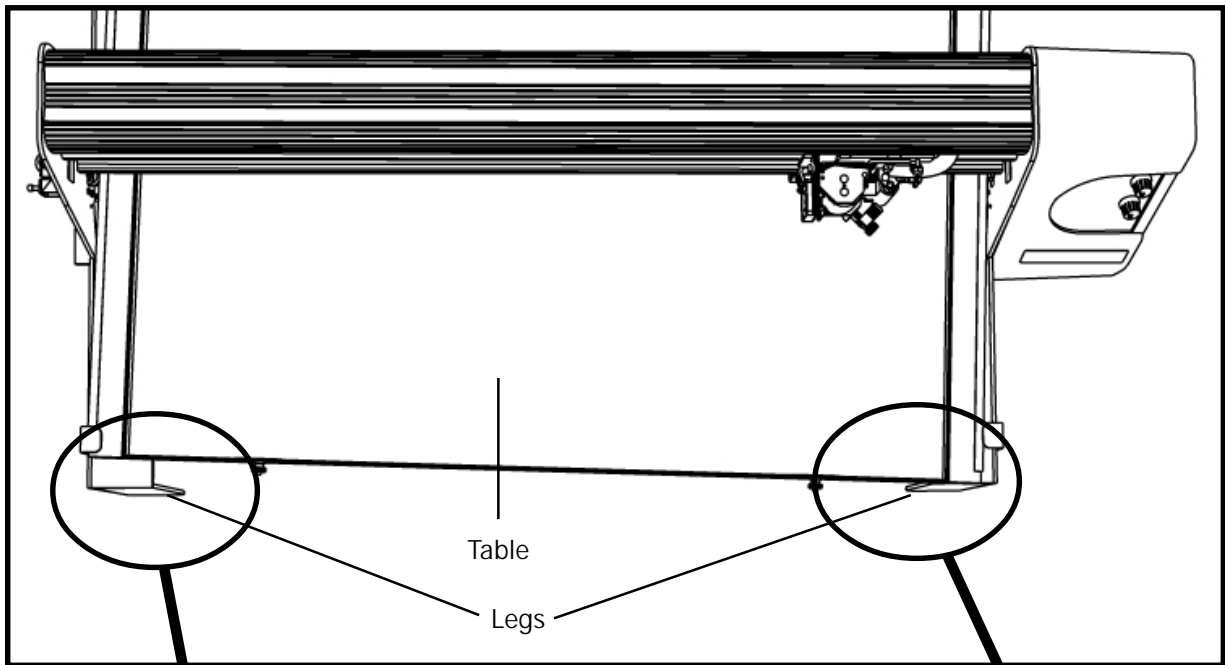
Note: The table has to be all the way forward to remove the rear screw



Left side cover screws (Black Phillips head)

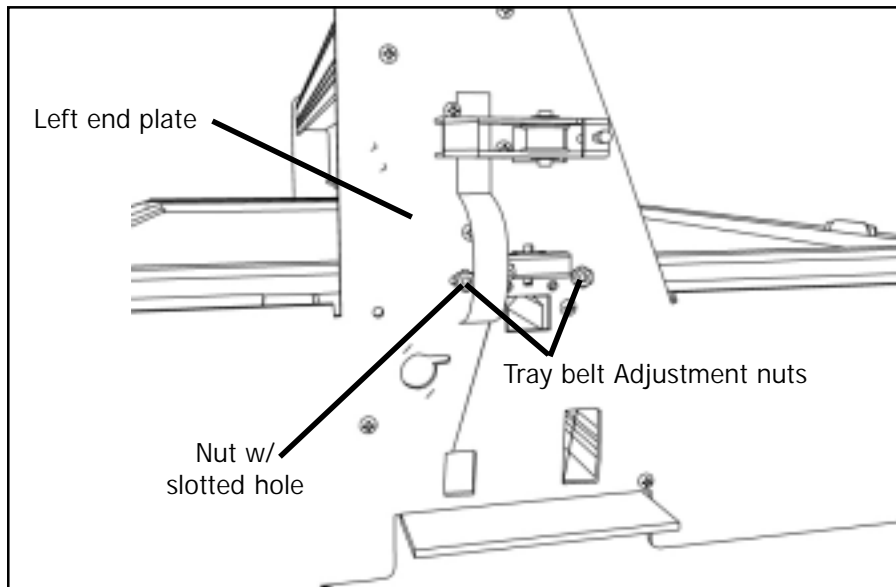
Line the table up

- 1) Pull the table to the front of the legs, and line the right side of the table up with the right leg.



Line the table up with the right side leg.

- 2) If the left side of the tray is not flush with the leg, proceed to the next step.

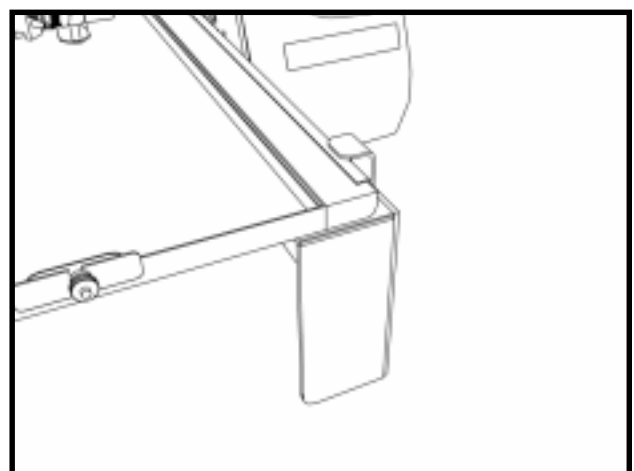
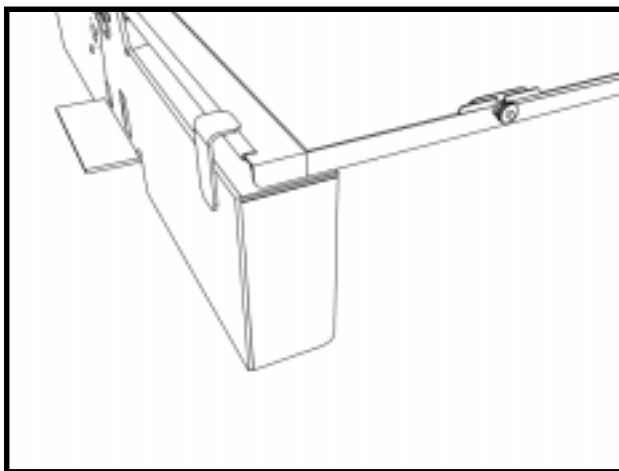


Left end plate showing tray adjustment nuts

Adjusting the Table

1) Loosen the 11/32" nut with the slotted hole.

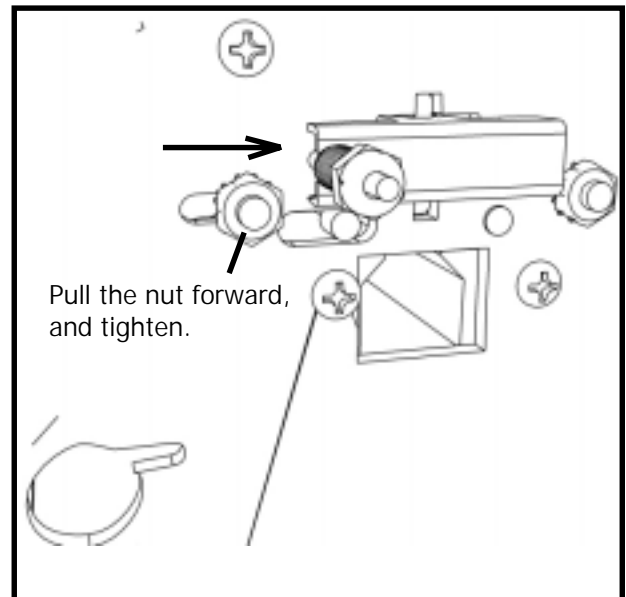
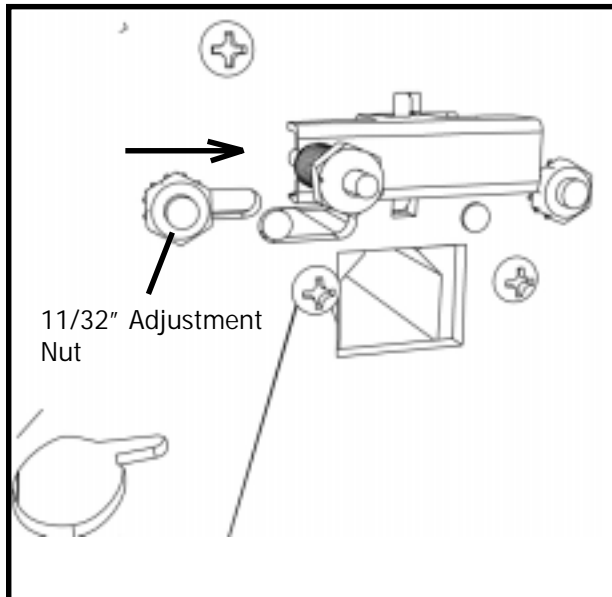
2) While holding the right side of the tray flush with the right leg, move the left side of the tray so it's flush with the left leg.



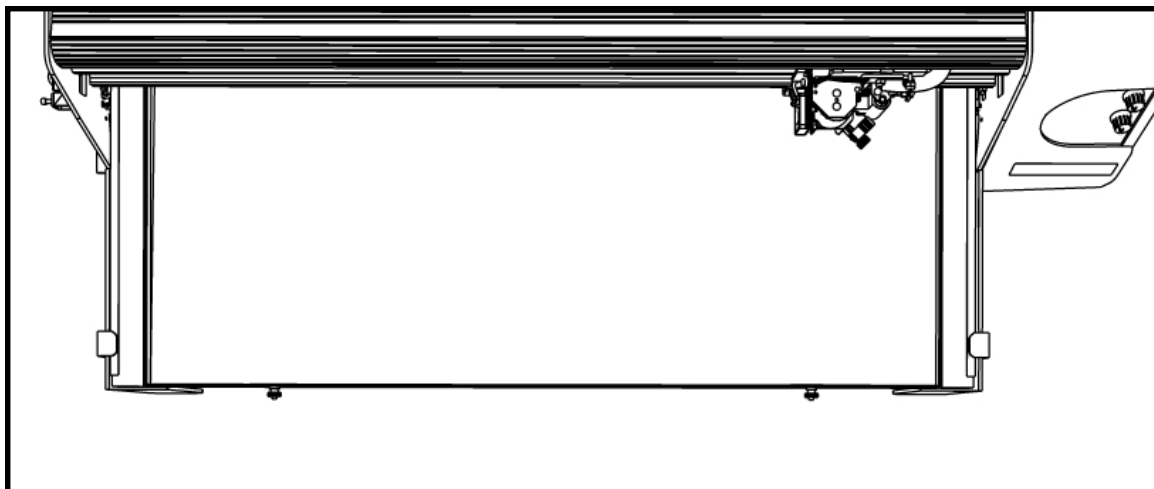
Line up the left side of the table with the left leg.

Tightening the belt.

- 1) Pull the 11/32" nut toward the front of the machine.
- 2) While the nut is in the forward position tighten it up.



Tightening the adjustment nut



When done the table should line up with both legs