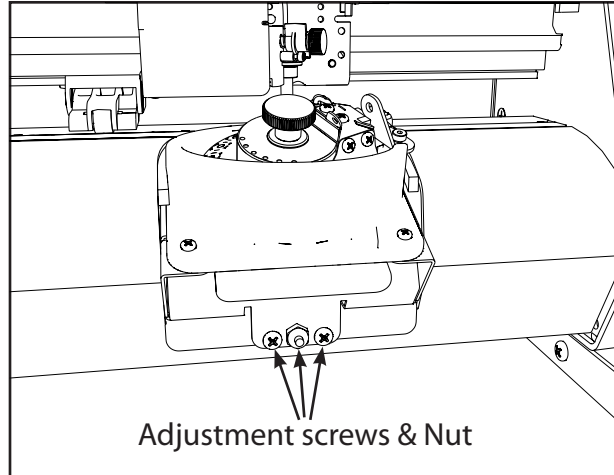


## Front to Back adjustment

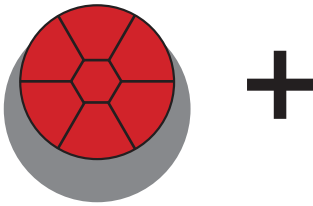
### 13 Adjusting the Bowls (X axis):

Locate the adjustment screws on the front of the CrystalPress bowls.

Loosen the two screws on either side of the nut.

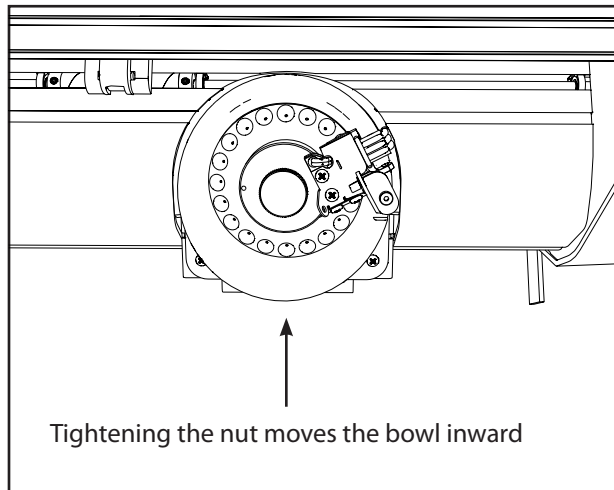


If the stone looked like this:

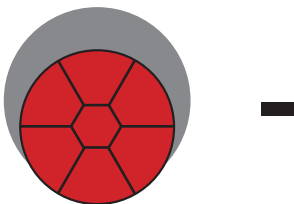


Tighten the nut on the front of the bowl a little. This will move the bowl "Inward".

Once done go back to Step 4 and repeat the test and adjustment until the stone is centered on the tool tip.

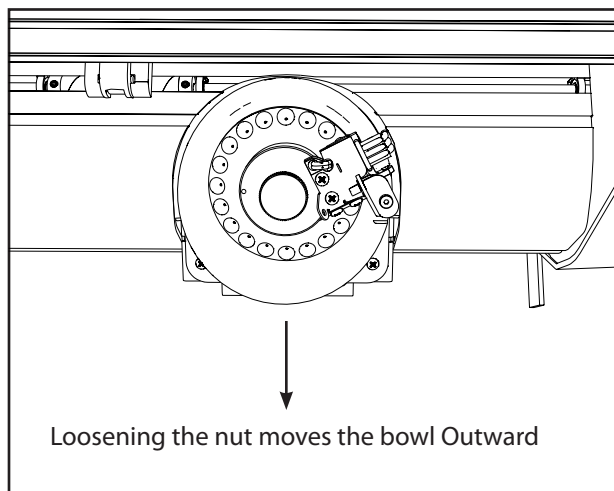


If the stone looked like this:



Loosen the nut on the front of the bowl a little. This will move the bowl "Outward".

Once done go back to Step 4 and repeat the test and adjustment until the stone is centered on the tool tip.



- 14 Once the stone is centered on the tip of the C-Stick, tighten the two Phillips screws on either side of the adjustment nut with medium force. Re-test the alignment as needed. **CAUTION: Do Not overtighten the screws as damage can occur to the bowl assemblies.**

Note: Due to tolerances it might be necessary to adjust the Y axis again once the X axis is set.

If problems arise or you need further assistance contact Ioline Tech Support at (425) 398-8282